

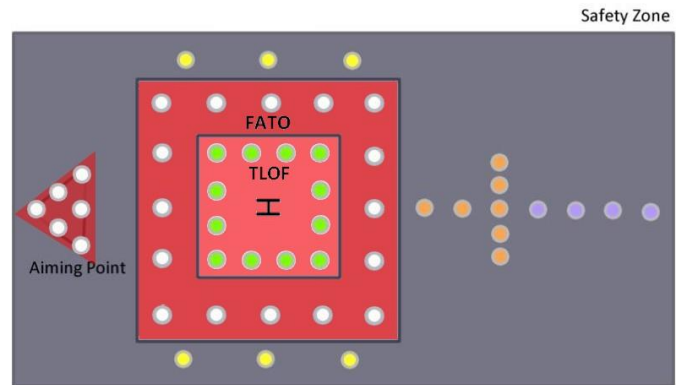
HFTR

*Inset strong LED light
for heliport*



Designed and made in Switzerland

USES	TLOF FATO Aiming point Taxiway edges
STAC CERTIFICATE	On request



PRODUCT SUMMARY

Design:	Inset LED light	Warranty:	48 months by standard exchange
Material:	Aluminium or stainless steel	Power supply:	24-60 VDC / 110-230 VAC / 6.6A
IP Rating:	IP 67	Power:	6 W (green) / 12 W (white)
Light colour:	White, green, yellow, blue, red, infrared	Standards:	ICAO Annex 14, Vol II
NVG* Enhanced:	Optional	Brightness control:	10%-30%-100%
*Night Vision Goggles		LED lifetime:	>80 000 hours
		iControl:	Optional

Inset strong LED light HFTR

HFTR is the most robust version of the HFT range. This product is designed for very high solicitation. With an increased static and dynamic load capacity, the HFTR reduces the possibility of damage. This product and its forefather have been produced and are used in more than 600 helipads all around the world. It is available in a large range of colors, materials and power supplies. It is easy to install and needs no maintenance. The manufacturing quality guarantees a very long lifetime. The waterproofness has been elaborated to guarantee that no water or humidity enters into the light. A special physical barrier guarantees that no humidity can come from the connection (WatBar). This inset LED light is very robust. The HFT is made with power LEDs, especially selected for their quality, lifetime (< 80'000 hours) and photometrical stability. Brilliancy control: 10%-30%-100%.

INFRARED (NVG ENHANCED)

Our special infrared LED light engine has a very high response on NVG units. That means, that this NVG enhanced lights will be highly amplified by the NVG. Environment and other lights are still visible with the same quality. For pilots flying without NVG, no modification is visible on the dual lighting system. Optionally this light can be used with the iControl system. The electronic system integrated in the light can detect a failure and communicate with the iControl. For example: you can configure to receive an email if any light has a problem. You are able to watch the status and failure information of each light directly from a dedicated webpage. It is also possible to switch ON and regulate the system from an I phone or android mobile phone, and much more...

iControl makes the installation, flight, and maintenance easier and safer.

Ordering code:

HFTR - **G** - **Al** - **X** - **IR**

Type	Colour	Material	Power supply	NVG Enhanced
HFTR	-G: Green -W: White -Y: Yellow -B: Blue -R: Red -IR: Infrared	-AL: Aluminum -IN: Inox	-X: iControl (intelligent) -Y: LBR (standard) -Z: 6.6 A	-IR: NVG Enhanced (with infrared) -N: NO NVG Enhanced

Mechanical characteristics:

Body material	Aluminium anodized, mineral tempered glass
Diameter	150 mm
Height	50 mm
Weight	1.4 kg
Temperature	-35° to +70°
Protection class	IP67
Isolation : water/humidity	WatBar – Physical insulation between the « connetion room » and the light

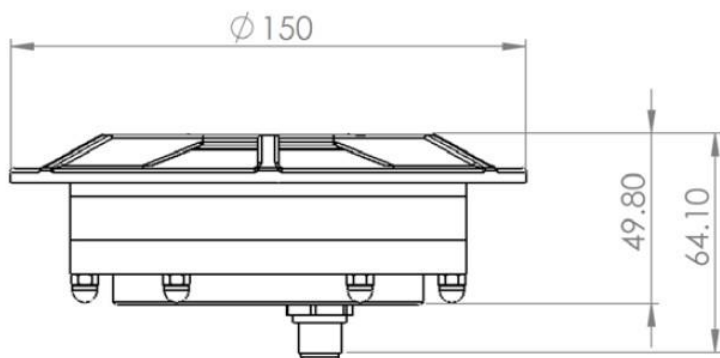
Optical characteristics:

Light source	LED
Colour	Green / White / Yellow / Blue / Red / Infrared
Intensity (white)	100 cd at 15° elevation (100%)
Horizontal output	360°
Intensity level	100% - 30% - 10%
LED lifetime	> 80 000 hours

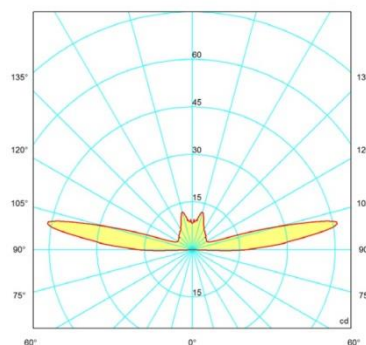
Electrical characteristics :

Power supply voltage	24 to 60 VDC or 110 to 240 VAC 50/60hz or 6.6A (CCR)
Power	6 W (green) / 12W (white)
Brightness regulation (visible)	Intelligent control system : iControl LBR II
Type of cable	LBR version : 2x1.5mm ² iControl version : 4x1.5mm ²

Drawing :



Photometric data :



The descriptions, photometric measurements and features contained in this publication are given for information only and do not constitute an engagement for our society, which reserves the right to change them without prior notification.