



MIOL - B

MEDIUM INTENSITY

NOCTURNAL

ACCORDING TO ICAO TYPE B

ACCORDING TO FAA L864

Promic

LXS
LUXSOLAR®

ICAO FEATURES

Light type	Medium intensity B
Lighting	Nocturnal
Colour	Red
Signal type	Flashing (20-40-60 fpm)
Luminance	2.000 cd

TECHNOLOGICAL FEATURES

Optics	Polycarbonate lenses
Light source	1 level of 48 LED
Cooling system	Central convection
External protection	Borosilicate thermal hardened glass
Electronic access	Electronic cards in cabinet

ELECTRICAL FEATURES

Available power supply	24 ; 48 VDC or 230 VAC
Average consumption (40 fpm in 24V)	5 W
Moisture protection	IP 66
Operating temperatures	-50°C to +80°C
LED lifetime	10 years minimum at 20°C

ENVIRONMENTAL FEATURES

Area	Safe, without explosion risks
Body structure	Anodised aluminium
Weight	5 Kg
Diameter	220 mm
High	130 mm

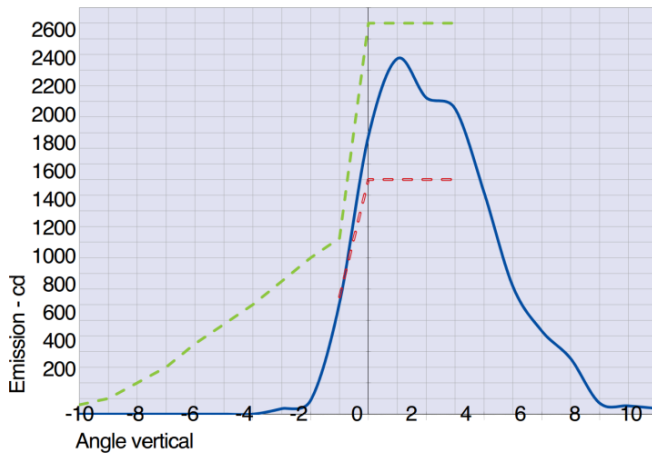
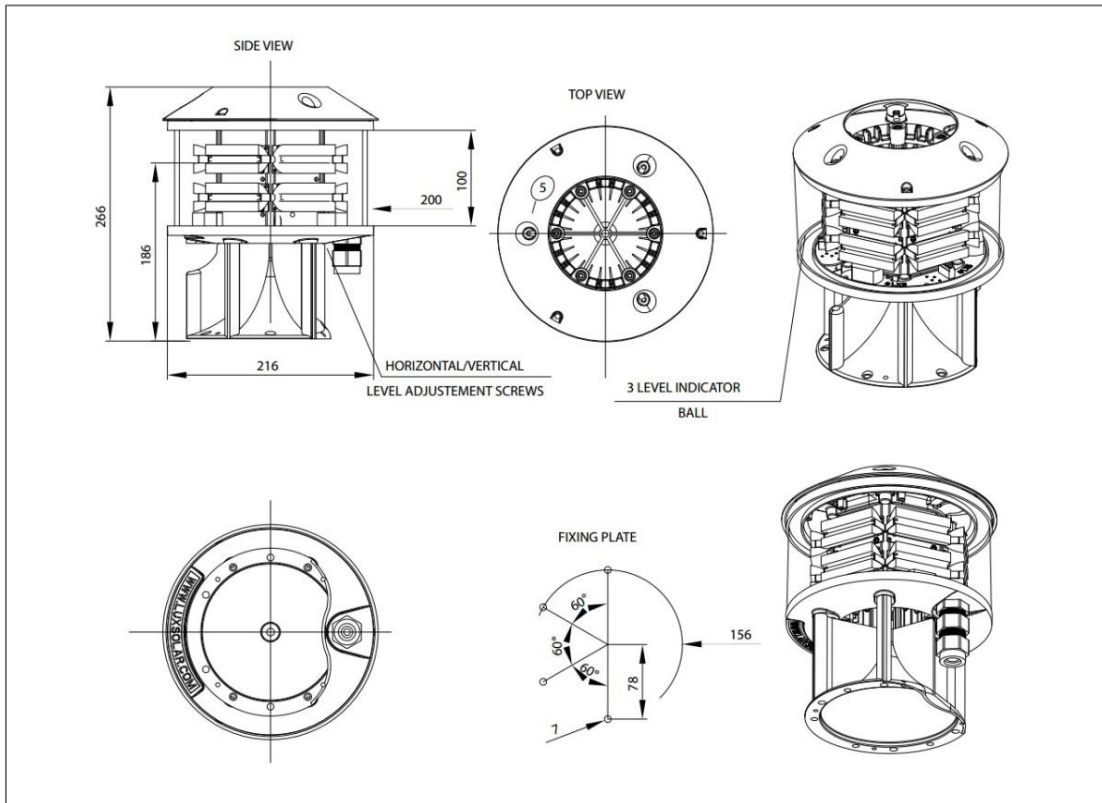
OTHER

Fixations	Flat base ; tubular
STAC certificates	2013A037
Warranty	36 months
Available options	Alarm ; quick connectors ; twilight sensor ; 180° ; twin light



Toutes les spécifications techniques sont susceptibles d'être modifiées sans préavis

DIMENSIONS & EMISSIONS SCHEMES



- Average emission of MIOL-b at 90°C
- - Minimum Intensity Required by ICAO
- - Maximum Intensity Required by ICAO

BUSINESS APPLICATION



Pylons



Cranes



Chimneys



Buildings



Wind turbines