

# MIOL - A

**MEDIUM INTENSITY  
DIURNAL AND NOCTURNAL**

**ACCORDING TO ICAO TYPE A  
ACCORDING TO FAA L865**

**PROMIC**

**LXS<sup>®</sup>**  
LUXSOLAR<sup>®</sup>

## ICAO FEATURES

Light type	Medium intensity A
Lighting	Nocturnal and diurnal
Colour	White for day / white for night
Signal type	Flashing (20-40-60 fpm)
Luminance	20.000 cd day and 2.000 cd night

## TECHNOLOGICAL FEATURES

Optics	Polycarbonate lenses
Light source	2 white levels of 48 LED
Cooling system	Central convection
External protection	Borosilicate thermal hardened glass
Electronic access	Electronic cards in cabinet

## ELECTRICAL FEATURES

Available power supply	24 VDC or 230V AC
Average consumption (40 fpm in 230V)	Day 95 W / night 16 W
Moisture protection	IP 66
Operating temperatures	-50C° to +80C°
LED lifetime	10 years minimum at 20C°

## ENVIRONMENTAL FEATURES

Area	Safe, without explosion risks
Body structure	Anodised aluminium
Weight	6 Kg
Diameter	220 mm
High	130 mm

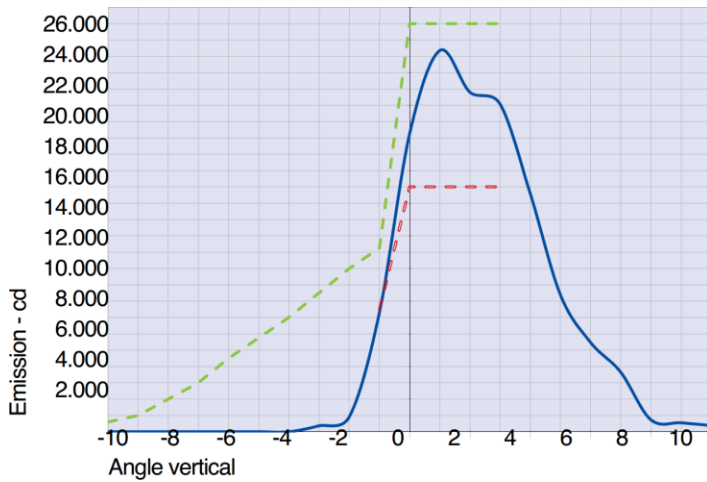
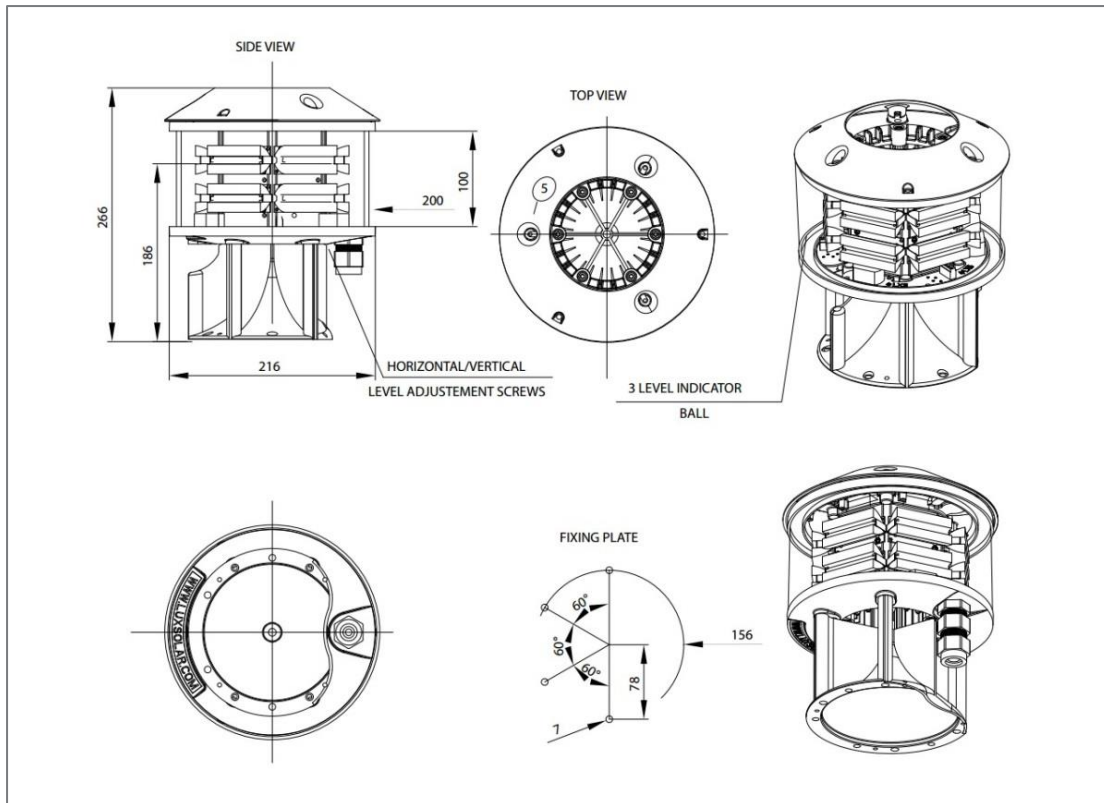
## OTHER

Fixations	Flat base ; tubular
STAC certificates	2013A038
Warranty	36 months
Available options	Alarm ; quick connectors ; twilight sensor ; 180° ; twin light



*MIOL-A  
With twin light*

# DIMENSIONS & EMISSIONS SCHEMES



- Average emission of MIOL-A at 90°C
- - - Minimum Intensity Required by ICAO
- - - Maximum Intensity Required by ICAO

# BUSINESS APPLICATION



**Pylons**



**Cranes**



**Chimneys**



**Buildings**



**Wind turbines**