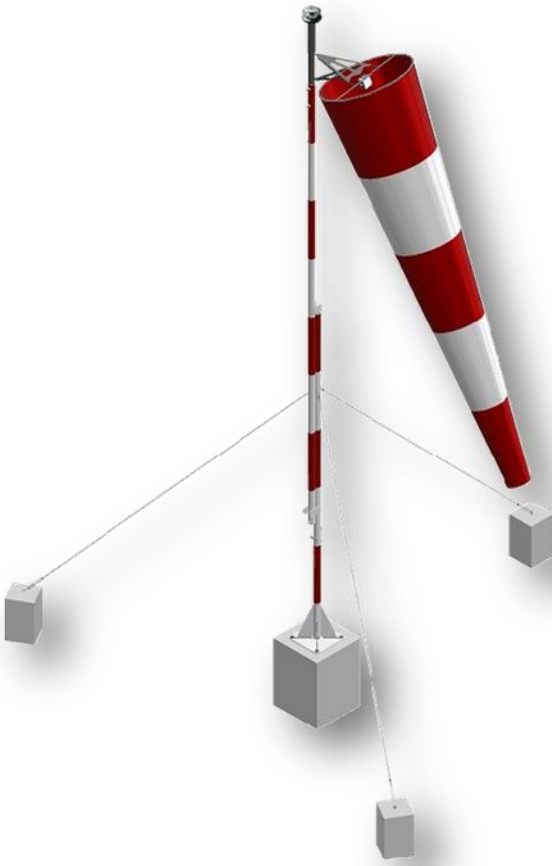


Illuminated wind direction indicator

*Wind direction indicator
for heliport*



Illuminated wind direction indicator

The mast meets the ICAO Standards. It can be pull down, measures 7.40 meters, and it is delivered with its 3 wires (except for reinforced version), its pull down system and its fixing.

In option, mast can be made in stainless steel, or be equipped of a frangible system.

Several accessories are available, such as lighting windsock or obstruction lighting of the mast.

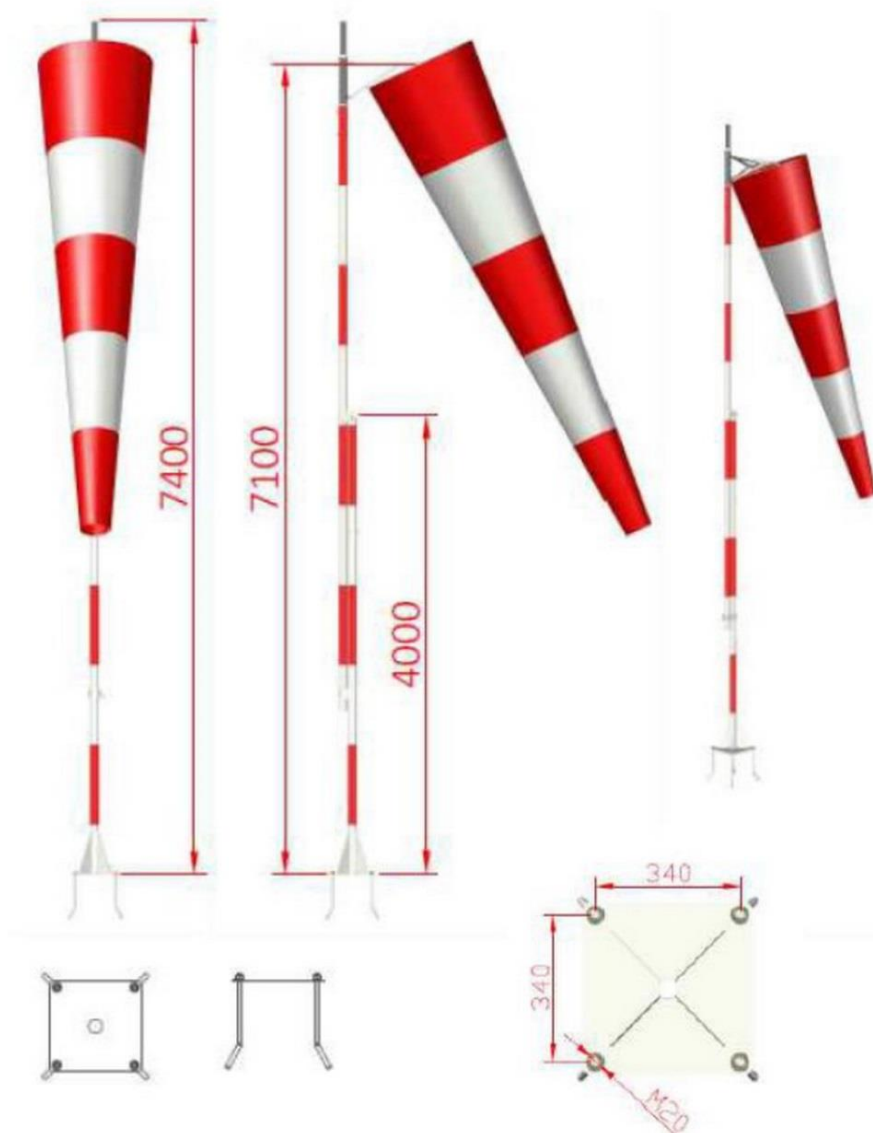
FEATURES FOR WINDSOCK

Technical features :

Colours	Red and white
Assembly	5 parts
Fixing	Collar fixing
Grammage	160g/m ²
Dimensions	Ø60 x 240 cm



FEATURES FOR MAST



The descriptions, photometric measurements and features contained in this publication are given for information only and do not constitute an engagement for our society, which reserves the right to change them without prior notification.

Technical features :

Height	7.40 meters
Inclination	Yes
Protection	Galvanized steel
Colours	Red and white
Fixing	Sealing plate (included)
Weathercock	Yes
Diameters	30 (elevated heliport) and 60 (surface-level heliport)
Wires	3 x 120cm
Massive concrete	600 x 600 x 800

Environment features :

Humidity	100%
Frost	-60°C
Wind speed	160 km/h

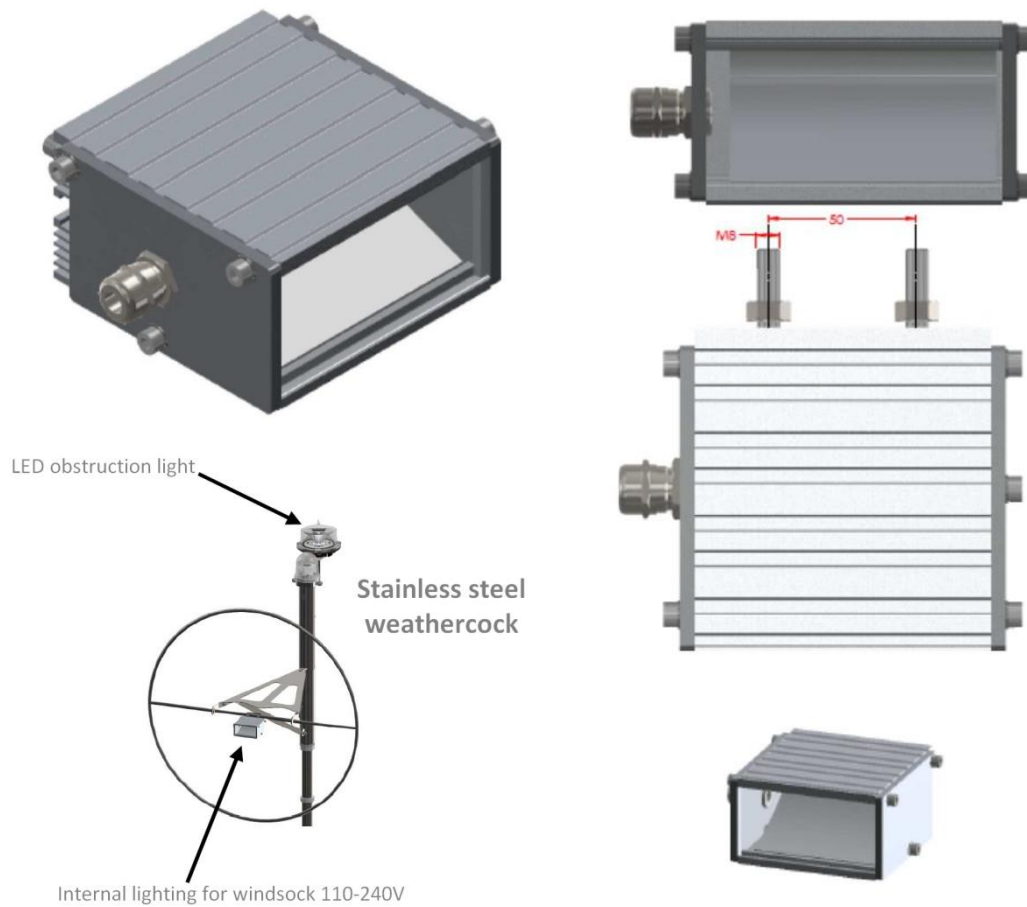
Standards and legislation

CE
EN60947-1
CEI60364, NF C15-100
2014 / 35 / UE
OACI Annex 14, Volume II, Chapter 5

Warranty

12 months

FEATURES FOR INTERNAL LIGHTING



The descriptions, photometric measurements and features contained in this publication are given for information only and do not constitute an engagement for our society, which reserves the right to change them without prior notification.

Lighting features

Lighting source	LEDS
Colour	White
Lifetime	About 100 000 hours

Electrical features

Power supply	110-240V
Operating temperatures	-55°C à +55°C
Consumption	<10W max.
Protection Index	IP66

Mechanical features :

Body component	Aluminium
Window component	Glass
Fixing	Nut M8 – fitting on former hoop M6
Dimensions	60x110mm
Weight	<1Kg

Environment features :

Humidity	100%
Frost	-60°C

Standards and legislation

EN60947-1
CEI60364, NF C15-100
2014 / 35 / UE

Warranty

12 months

