



MIOL-C

Medium intensity
Nocturnal

According to ICAO type C
According to FAA L864

PROMIC

LXS
LUXSOLAR®

ICAO features

Light type	Medium intensity C
Lighting	Nocturnal
Colour	Red
Signal type	Fixed
Luminance	2.000 cd

Technological features

Optics	Polycarbonate lenses
Light source	LED (1 level of 48)
Cooling system	Central convection
External protection	Borosilicate thermal hardened glass
Electronic access	Electronic cards in cabinet (230V)

Electrical features

Available power supply	24 ; 48 V DC and 230 V AC
Average consumption (in 24V)	20 W
Moisture protection	IP 66
Operating temperatures	-45C° to +55C°
LED lifetime	10 years minimum at 20C°

Environmental features

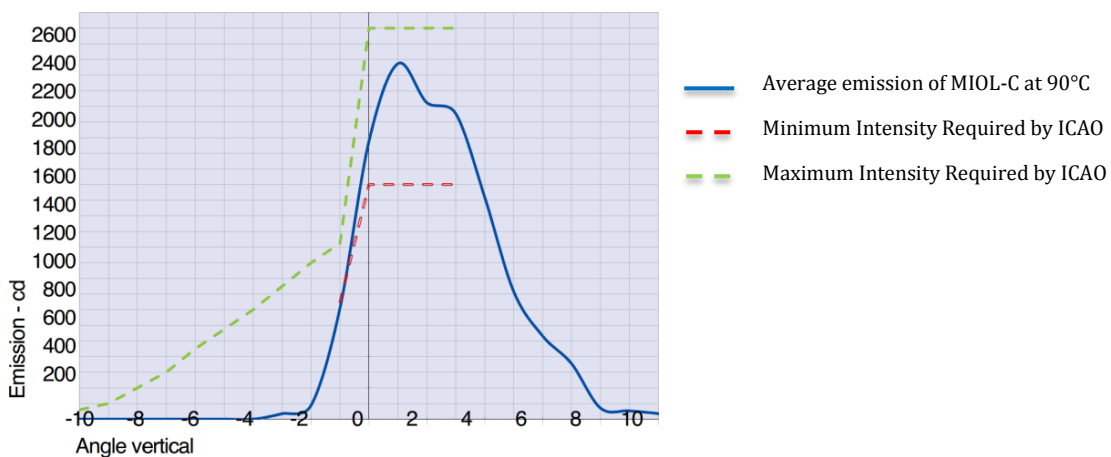
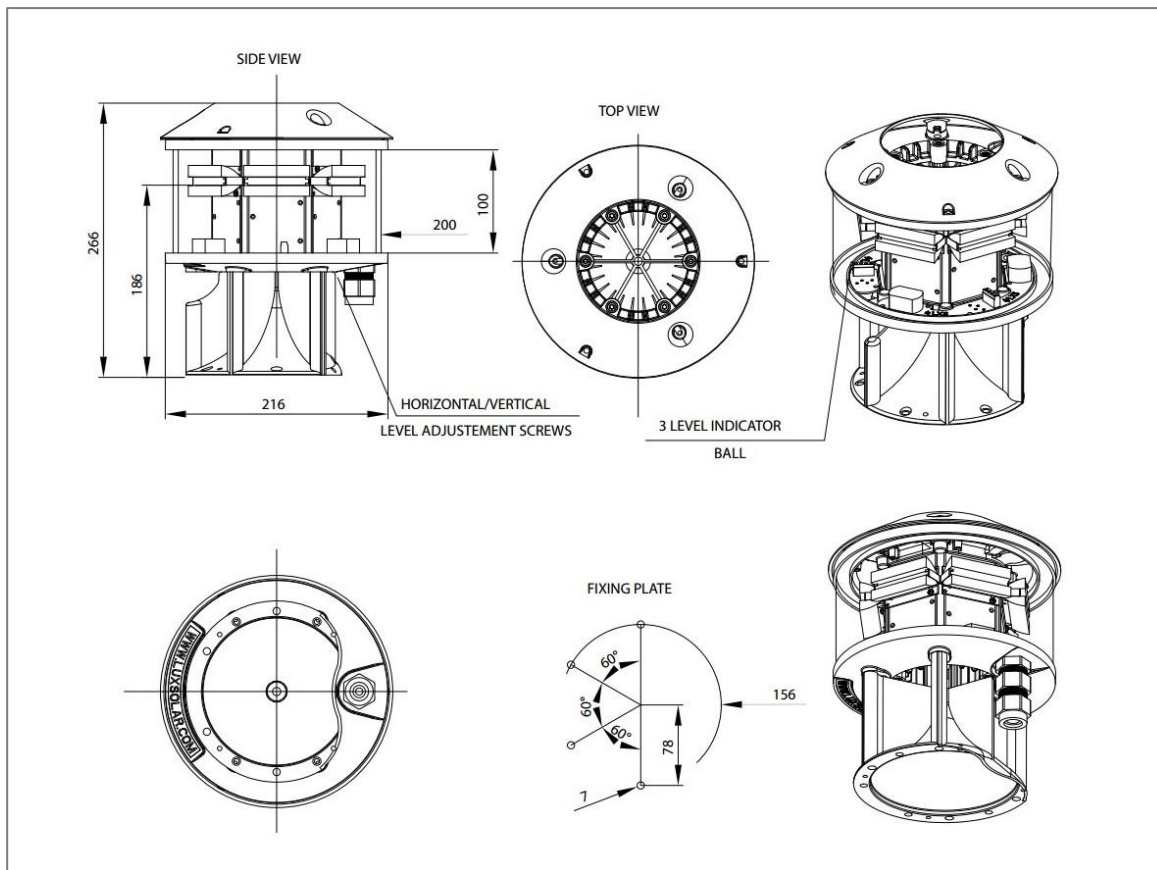
Area	Safe, without explosion risks
Body structure	Anodised aluminium
Weight	5 Kg
Diameter	220 mm
High	130 mm

Other

Fixations	Flat base ; tubular
STAC certificates	2013A037
Warranty	36 months
Available options	Alarm ; quick connectors ; twilight sensor ; 180° ; twin light



Dimensions & emissions schemes



Business application



Pylons



Cranes



Chimneys



Buildings