



MIOL-B-EXD

Medium intensity ATEX
Nocturnal

According to ICAO type B
According to FAA L864

PROMIC

LXS
LUXSOLAR®

LED and lenses



Central convection



ICAO features

Light type	Medium intensity B
Lighting	Nocturnal
Colour	Red
Signal type	Flashing (20-40-60 fpm)
Luminance	2.000 cd

Technological features

Optics	Polycarbonate lenses
Light source	1 red level of 48 LED
Cooling system	Central convection
External protection	Borosilicate glass cover protection
Electronic access	Electronic cards in cabinet

Electrical features

Available power supply	12/24 VDC and 115/230 VAC
Average consumption (40 fpm in 24V)	8 W
Moisture protection	IP 65
Operating temperatures	-52C° to +60C°
LED lifetime	10 years minimum at 20C°

Environmental features

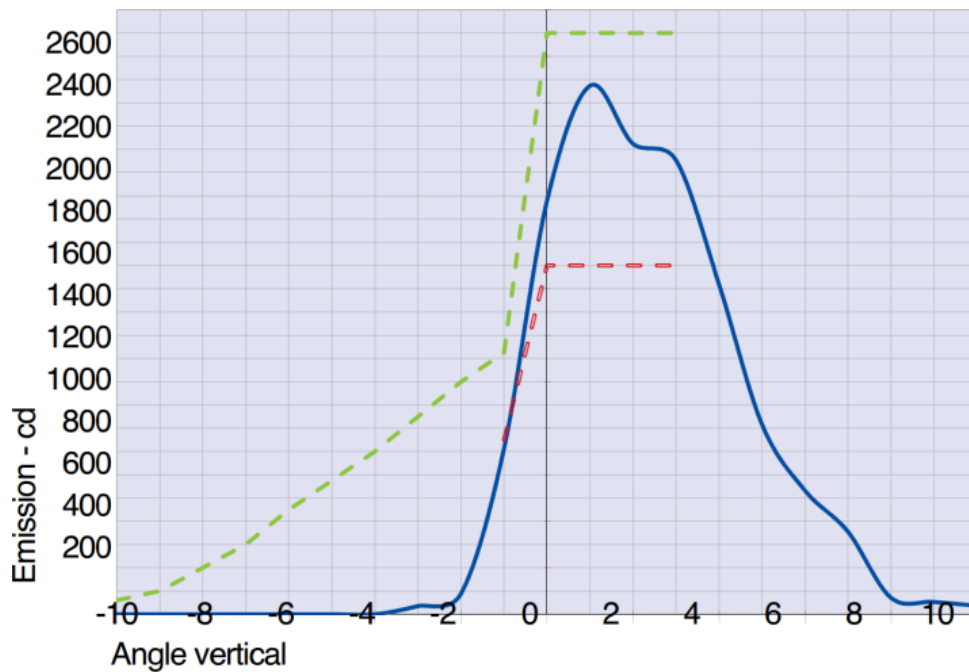
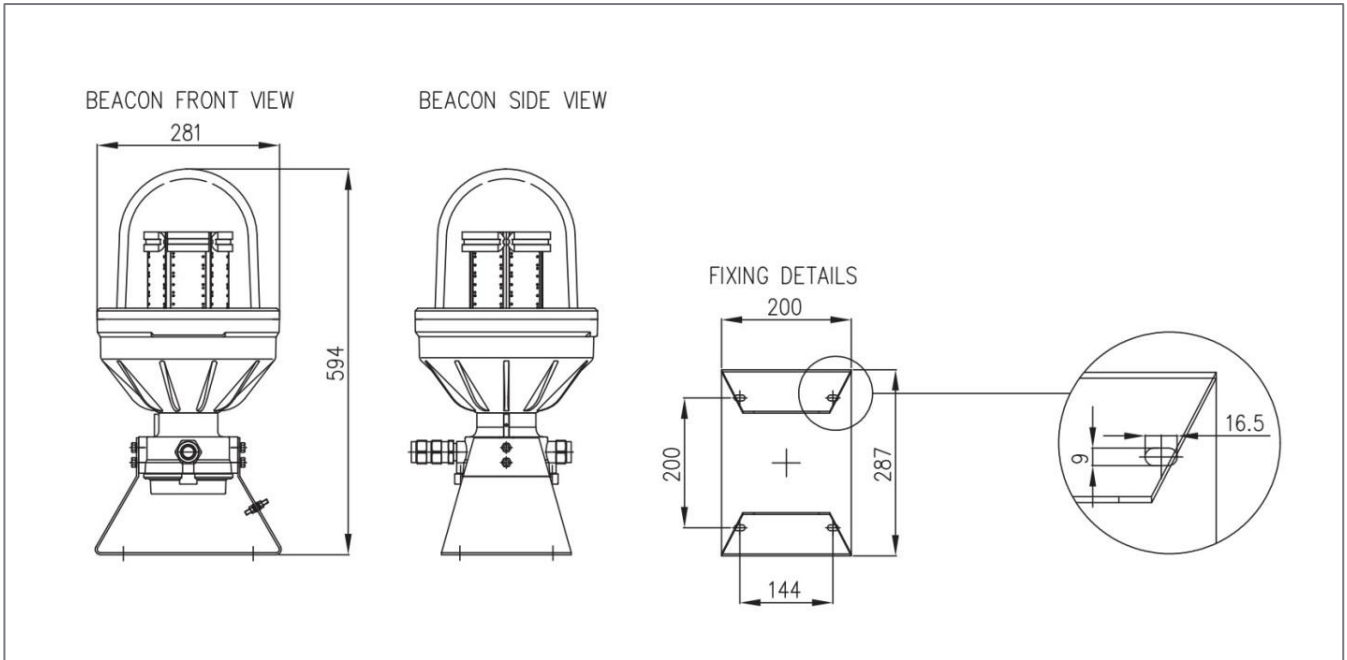
Area	Hazardous areas
Body structure	Anodised aluminium
Weight	15 kg
Diameter	110mm
High	600mm

Other

Fixations	Inox flat base
STAC certificates	2013A037
ATEX certificate	INERIS 01 ATEX 0019x
Warranty	36 months
Available options	Alarm ; twilight sensor; twin light

The technical specifications can be changed without prior notice

Dimensions & emission schemes



- Average emission of MIOL-B
- - Minimum Intensity Required by ICAO
- - Maximum Intensity Required by ICAO