

# Adapter ring for HFTR light

*Mounting base  
for inset HFTR lights*



**USES**                      **Substitution of inset lights**

## PRODUCT SUMMARY

<i>Design:</i> <b>Mounting base / adapter</b>	<i>Diameter:</i> <b>8 inches</b>
<i>Use :</i> <b>Substitution of inset lights</b>	<i>Installation:</i> <b>To be inserted in existing base</b>
<i>Material:</i> <b>Aluminium or stainless steel</b>	

### Adapter ring for inset heliport lights substitution

When heliport inset lights are becoming too much old, damaged by weather conditions or are not anymore in accordance with standard in effect, these lights have to be quickly replaced.

Thanks to the adapter ring, it is possible to replace the lights only, even if the former products are not AEROLIGHTING branded.

The adapter ring setting up enables to directly insert the new HFTR light on the former base. The adapter ring is designed with dimensions of the former base (often 8 inches).

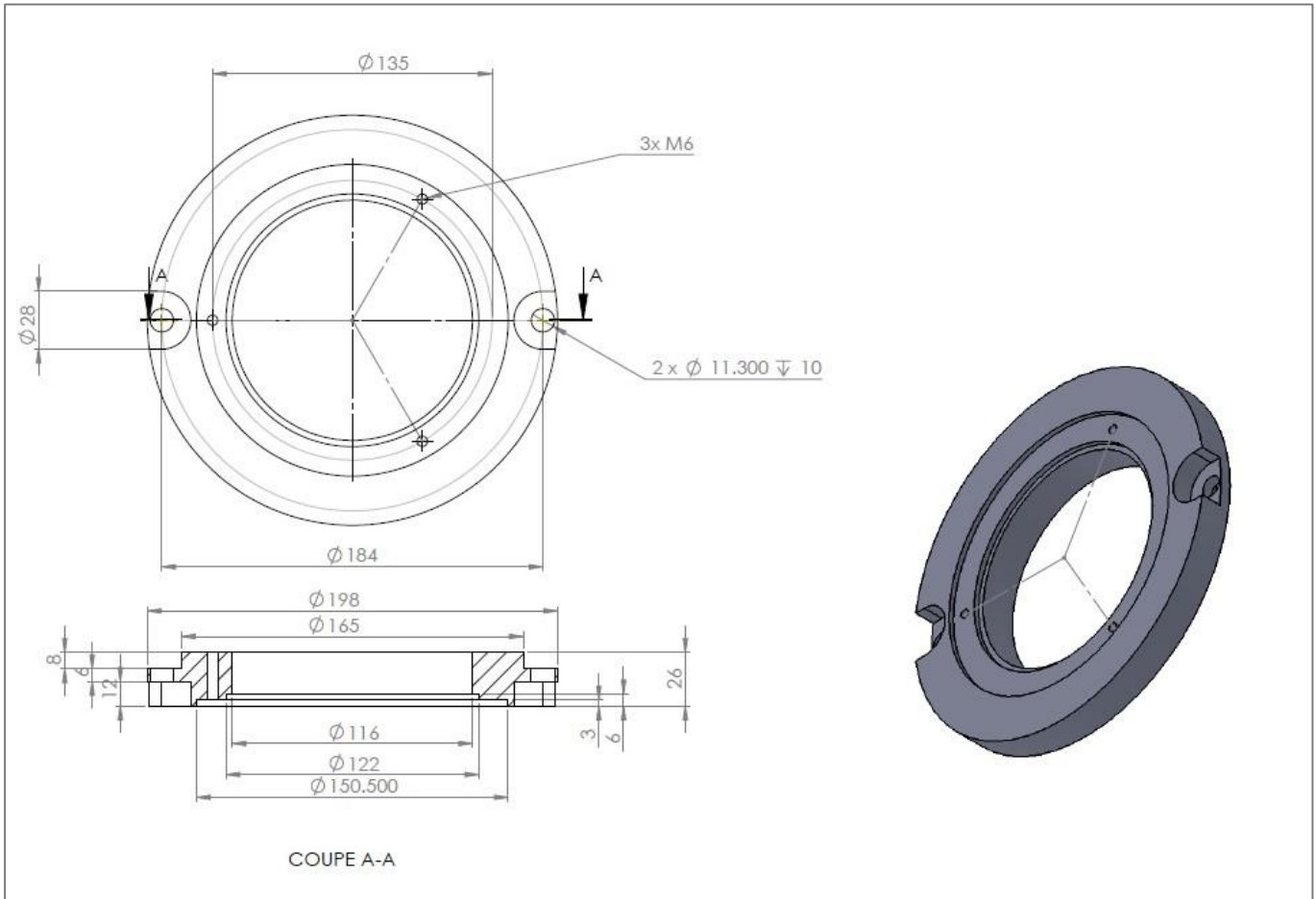
The substitution finally consists of getting out the damaged light from its base, and adding adapter ring on this same base. The new inset light HFTR will be easily set up without digging or drilling.

This solution enables the installer to set up very quickly a new heliport light, even from another brand, avoiding drilling, and reusing the former support.

### Replacement of damaged inset light with adapter ring and HFTR light:



**Drawing :**



**Mechanical characteristics:**

<b>Material</b>	<b>Aluminium or stainless steel</b>
<b>Diameter</b>	<b>8 inches</b>
<b>High</b>	<b>26 mm</b>
<b>Weight</b>	<b>1 kg (aluminium)</b>

The descriptions, photometric measurements and features contained in this publication are given for information only and do not constitute an engagement for our society, which reserves the right to change them without prior notification.