



# MIOB-AB

**MEDIUM INTENSITY  
DIURNAL / NOCTURNAL**

**ACCORDING TO OACI TYPE A AND B  
ACCORDING TO FAA L865-L864**

**PROMIC**

**LXS<sup>®</sup>**  
LUXSOLAR<sup>®</sup>

## ICAO FEATURES

<b>Light type</b>	Medium intensity A and B
<b>Lighting</b>	Nocturnal and diurnal
<b>Colour</b>	White for day / red for night
<b>Signal type</b>	Flashing (20 to 60 fpm)
<b>Luminance</b>	20.000 cd day and 2.000 cd night

## TECHNOLOGICAL FEATURES

<b>Optics</b>	Polycarbonate lenses 3 levels of 48 LED:
<b>Light source</b>	2 levels white for day 1 level red for night
<b>Cooling system</b>	Central convection
<b>Anti-condensation system</b>	Gore-Tex valve
<b>External protection</b>	Borosilicate glass cover protection
<b>Electronic access</b>	Electronic cards in control cabinet

## ELECTRICAL FEATURES

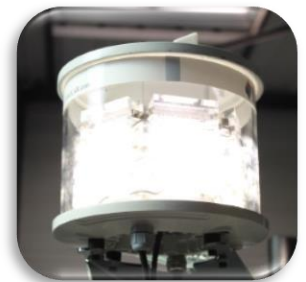
<b>Available power supply</b>	24VDC or 230 VAC
<b>Average consumption</b> (40 fpm in 230V)	Day 95 W / night 9 W
<b>Moisture protection</b>	IP 66
<b>Operating temperatures</b>	-30C° to +50C°
<b>LED lifetime</b>	10 years minimum at 20C°

## ENVIRONMENTAL FEATURES

<b>Area</b>	Safe, without explosion risks
<b>Body structure</b>	Anodised aluminium
<b>Weight</b>	7 Kg
<b>Diameter</b>	215 mm
<b>High</b>	220 mm

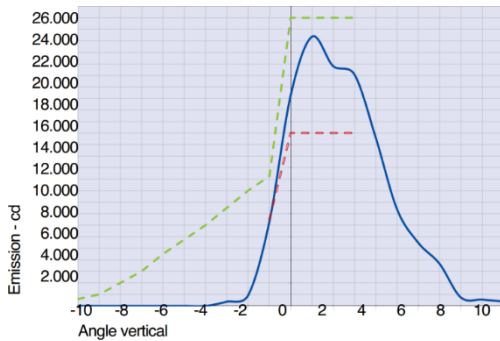
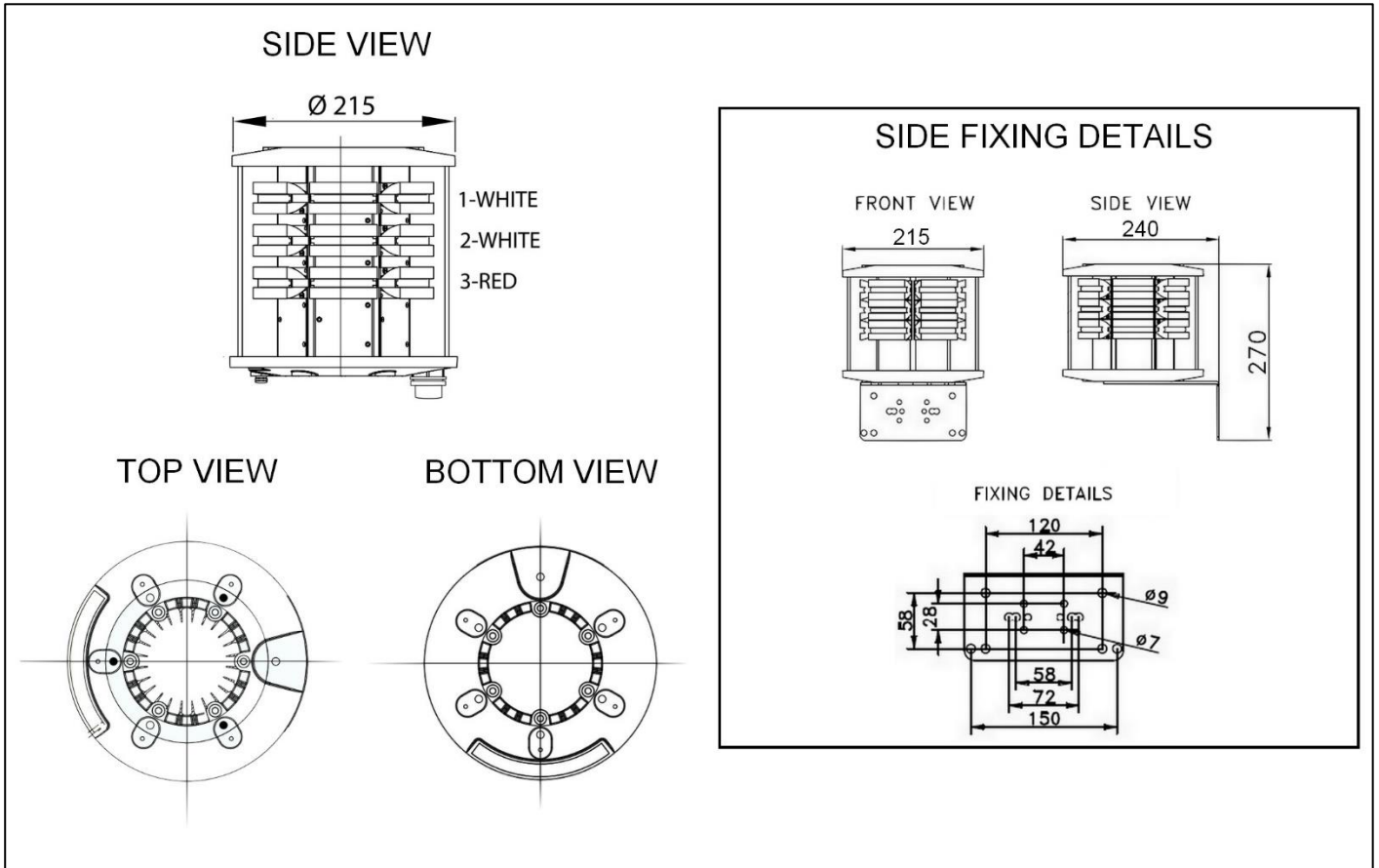
## OTHER

<b>Included fixing</b>	Side fixing SS304
<b>STAC certificates</b>	2013A037 – 2013A038
<b>Warranty</b>	36 months
<b>Available options</b>	Alarm; quick connectors; 180°; TWIN version: two separate LED circuits

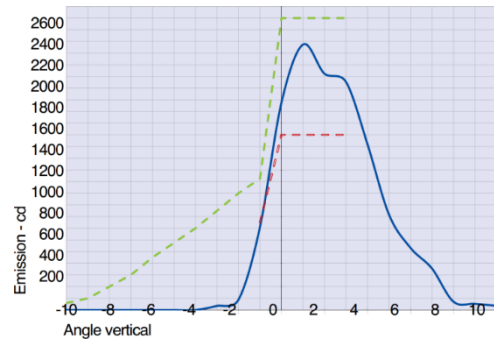


The technical specifications can be changed without prior notice

# DIMENSIONS & EMISSIONS SCHEMES



- Average emission of MIOL-A at 90°C
- - Minimum Intensity Required by ICAO
- - Maximum Intensity Required by ICAO



- Average emission of MIOL-B at 90°C
- - Minimum Intensity Required by ICAO
- - Maximum Intensity Required by ICAO

# BUSINESS APPLICATION



Pylons



Cranes



Chimneys



Buildings



Wind turbines