



# LIOL - B

LOW INTENSITY

NOCTURNAL

ACCORDING TO OACI TYPE B

ACCORDING TO FAA L810

**PROMIC**

**LXS**  
LUXSOLAR®

## ICAO FEATURES

Light type	Low intensity type B
Lighting	Nocturnal
Colour	Red
Signal type	Fixed
Luminance	32 cd

## TECHNOLOGICAL FEATURES

Optics	Aluminium reflector
Light source	LED (4 to 8)
Cooling system	Heat-sink pins
External protection (dome)	Polycarbonate UV resistant
External protection (junction box)	Glass Reinforced Polyester, black colour
Electronic access	Electronic circuit integrated

## ELECTRICAL FEATURES

Available power supply	12 ; 24 ; 48 V DC and 115 ; 230 V AC
Average consumption (in 24V)	3 W
Moisture protection	IP 66
Operating temperatures	-20C° to +50C°
LED lifetime	10 years minimum at 20C°

## ENVIRONMENTAL FEATURES

Area	Safe, without explosion risks
Body structure	Anodised aluminium
Weight (in 24VDC)	1 Kg
Diameter	120 mm
High (in 230VAC)	271 mm

## OTHER

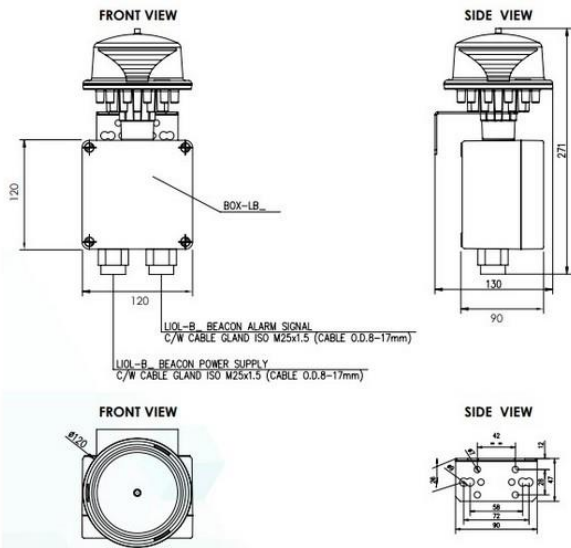
Fixations	Latéral Inox SS304
STAC certificates	2011A102
Warranty	36 months
Available options	Alarm ; quick connectors ; twilight sensor ; twin light



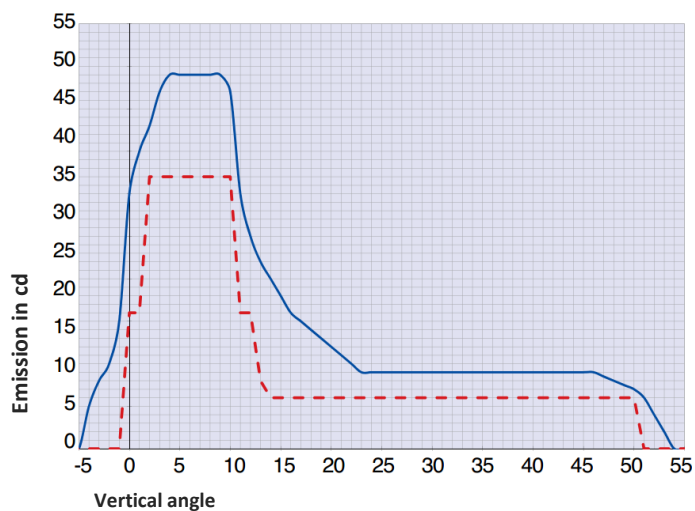
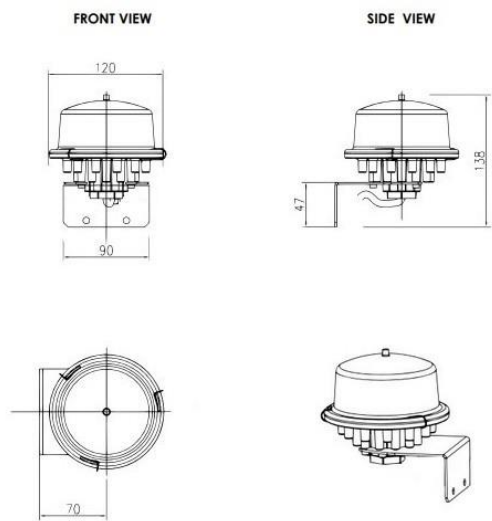
The technical specifications can be changed without prior notice

# DIMENSIONS & EMISSIONS SCHEMES

## POWER SUPPLY 115-230VAC



## POWER SUPPLY 12-24VDC



— Average emission LIOL-B  
 - - - Minimum intensity required by ICAO

# BUSINESS APPLICATION



Pylons



Cranes



Chimneys



Buildings