



LIOL - A

LOW INTENSITY
NOCTURNAL

ACCORDING TO OACI TYPE A
ACCORDING TO FAA L810

PROMIC

LXS
LUXSOLAR®

ICAO FEATURES

Light type	Low intensity type A
Lighting	Nocturnal
Colour	Red
Signal type	Fixed
Luminance	10 cd

TECHNOLOGICAL FEATURES

Optics	Aluminium reflector
Light source	LED (4 to 8)
Cooling system	Heat-sink pins
External protection (dome)	Polycarbonate UV resistant
External protection (junction box)	Glass Reinforced Polyester, black colour
Electronic access	Electronic circuit integrated

ELECTRICAL FEATURES

Available power supply	12 ; 24 ; 48 V DC and 115 ; 230 V AC
Average consumption (in 24V)	2 W
Moisture protection	IP 65
Operating temperatures	-20C° to +50C°
LED lifetime	10 years minimum at 20C°

ENVIRONMENTAL FEATURES

Area	Safe, without explosion risks
Body structure	Anodised aluminium
Weight (in 24V)	1 Kg
Diameter	120 mm
High (in 230VAC)	271 mm

OTHER

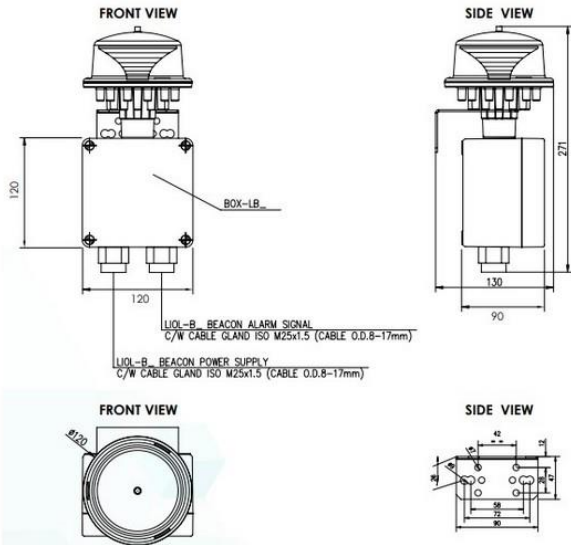
Fixations	Latéral Inox SS304
STAC certificates	2010A021
Warranty	36 months
Available options	Alarm ; quick connectors ; twilight sensor ; twin light



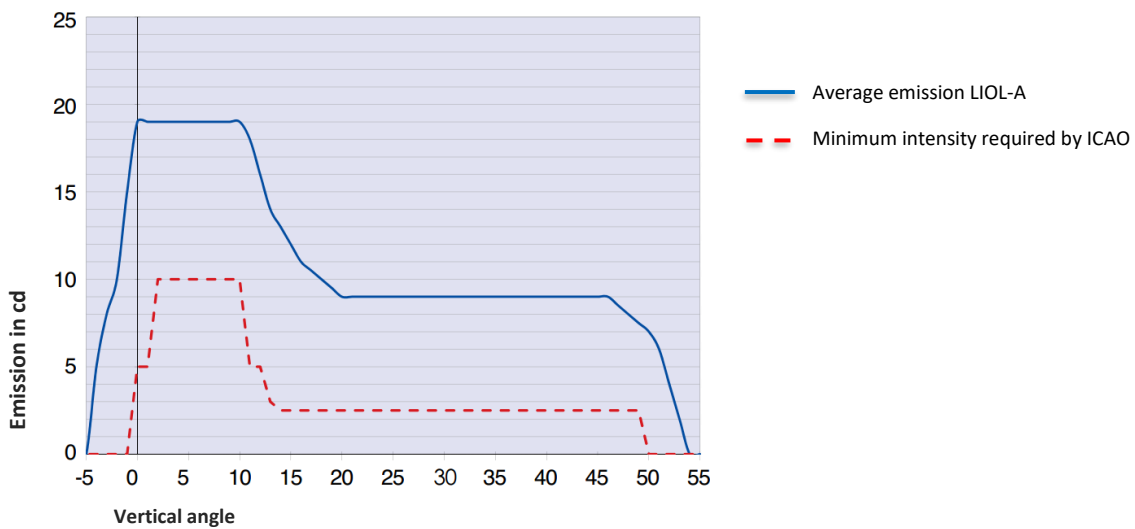
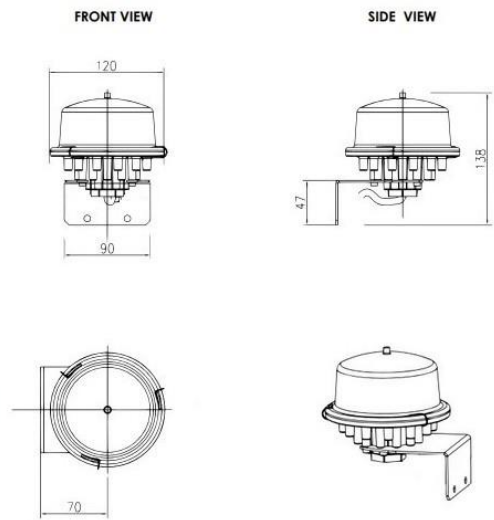
The technical specifications can be changed without prior notice

DIMENSIONS & EMISSIONS SCHEMES

POWER SUPPLY 115-230VAC



POWER SUPPLY 12-24VDC



BUSINESS APPLICATION



Pylons



Cranes



Chimneys



Buildings